

6LoWPAN NODE



DESCRIPTION:

The luminaire's remote management node enables the monitoring and management of the luminaires.

It gathers all data related to the operational status of the lightbulbs, alarms, energy usage, voltage, current, power factor, and location in order to send them through a wireless network to the control center, to be then processed by the control center's software.

OPERATION:

The node manages the ON/OFF options of the luminaire automatically, based on its configurable astronomic clock and its light sensor.

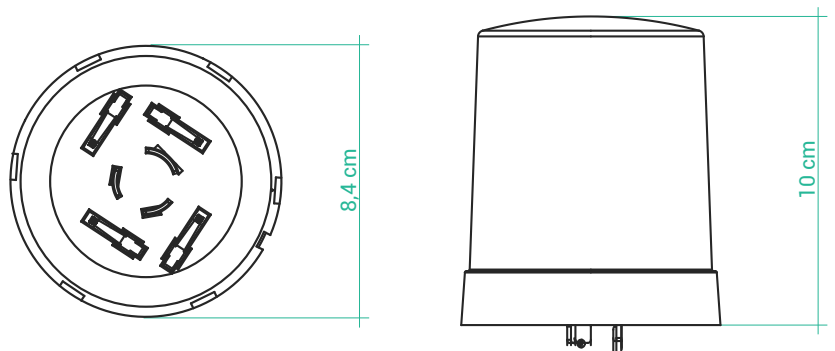
Additionally, it allows the manual management of the luminaires, individually or in groups, avoiding the ON/OFF commands and 0-10V / 1-10V or DALI dimmer.

The operating parameters of each luminaire's controlling node can be set individually through the central system.

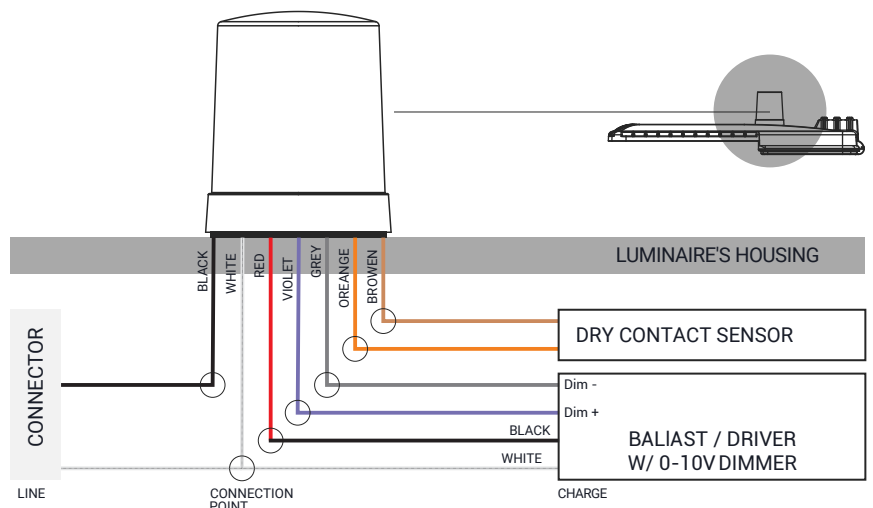
ALARMS DETECTION

- Power voltage too low / high
- Current too low / high
- Power factor too low.
- Lightbulb is ON with no consumption
- Awaiting maintenance
- Consumption detected when the lightbulb is off

DIMENSIONS:



WIRING DIAGRAM:



Communication features:

- Standard: Mesh IEEE 802.15.4g/e
- Communication Protocol: 6LoWPAN
- Frequency: 902-928 MHz Band ISM
- Range: 500 meters + line of sight

Electrical Specifications:

- Operating voltage: 90-270 VAC 50/60 Hz
- Protection against overvoltage after loss of neutral up to 400 VAC with cutoff in 270 VAC
- Maximum Voltage: 1000W
- Standby consumption: <1W
- Zero crossing relay switching
- Argentine Electric Risk Certification

Functional Specifications:

- Operation Modes: photocell, astronomical calendar, customized, or manual mode.
- ON/OFF switch through 10-amp relay
- 0-10V/1-10V and DALI dimmer
- LED, eHID, plasma and induction compatible
- Digital input for dry-contact sensors (movements, shoots, environmental, etc.)
- Class 1 Consumption Metering (1% accuracy)
- Certified authentication X.509
- Automatic and remote firmware updates
- GPS Receptor (self-positioning)

Environmental Specifications:

- Operating temperature: -10C a +70°C
- IP 66 -rated environmental case
- IK 09 protection

Product code: TGMCLA AG10